



Drum Carts



Drum Inverters



Drum Tipplers



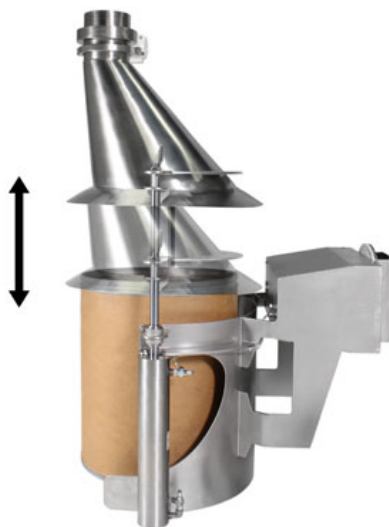
Drum Movers



Material Transfer Station

Drum Inverters

The EHS Drum Inverter features a very robust and portable design that allows operators to lift and position drums above tall applications. Custom options on the Drum Inverter allow it to accommodate a wide variety of applications.



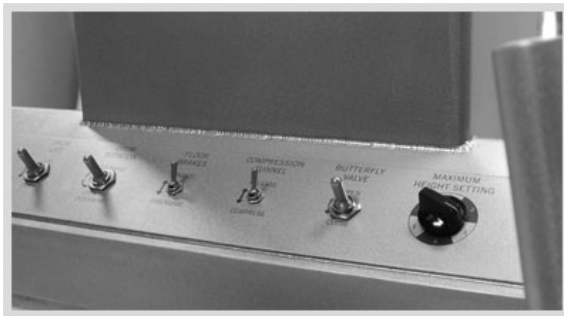
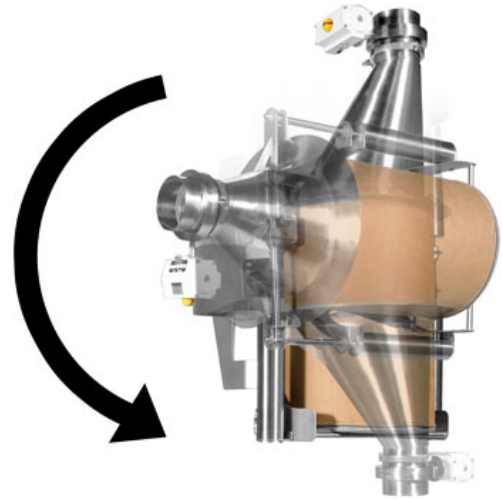
Drum Compression Funnel

The use of a pneumatic compression funnel allows for various sized drums to be secured while the Drum Inverter is in operation. A drum liner retention ring can be used to prevent the drum liner from falling into the funnel valve. The compression pressure can easily be adjusted on the control panel to allow for various drum weights and structures.

[Back to Top](#)

180 Degree Drum Inversion

The Drum Inverter utilizes an actuation system that allows the drum to invert a full 180 degrees. Smooth rotation and simple operator controls allow the rotation to be stopped and started in any given position.

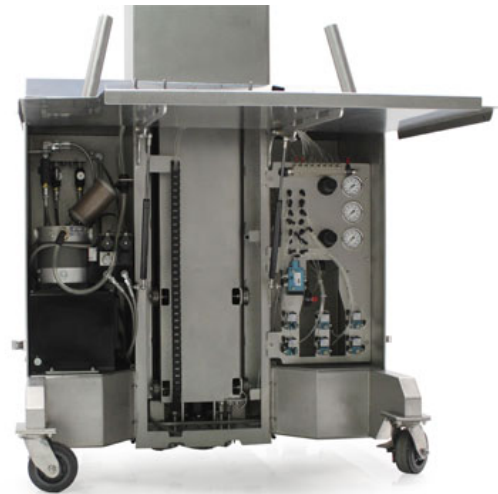


Intuitive Operator Interface

The simple pneumatic control logic allows the operators to adjust and position the drum at any angle and at multiple preset heights. The height selector switch allows for multiple height settings that can be adjusted per application.

Designed for Easy Maintenance and Longevity

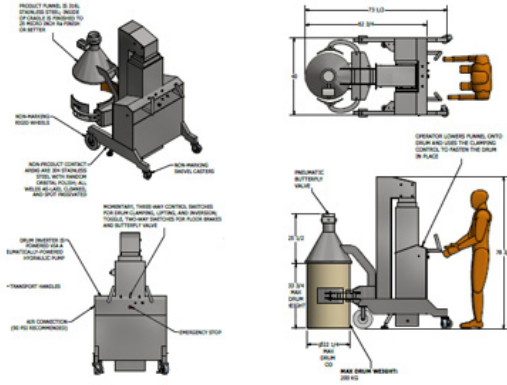
The Drum Inverter control housing is easy to access and consists of common components, allowing for simple maintenance and easy speed and pressure adjustments.



Custom Design

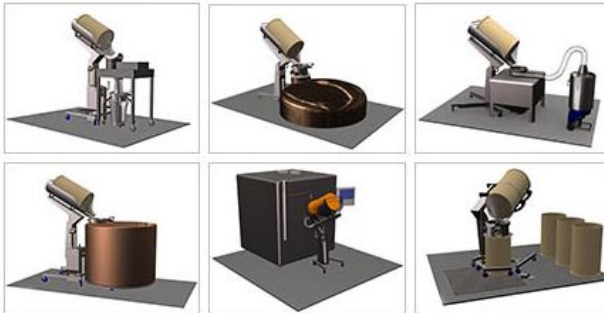
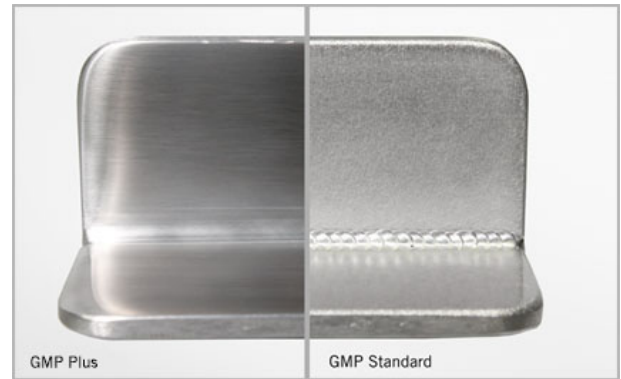
EHS embraces a customizable design philosophy; off-the-shelf drum inverters have many drawbacks because of their inability to conform to particular application needs. During the design phase, the EHS engineering team analyzes the application to develop a custom comprehensive drum-handling solution. By using standard options as well as custom-designed

features, a GMP operator-centric design can be achieved.



Surface Finish

- **GMP Plus:** All welds are ground and polished. All surfaces are passivated and have a unidirectional surface finish with less than 20 µm Ra surface roughness.
- **GMP Standard:** Non-product surfaces have an orbital surface finish, while product contact surfaces have a unidirectional surface finish with less than 20 µm Ra surface roughness.



Application Library

EHS has developed an [Application Library](#) to demonstrate how the Drum Inverter can be adapted to work with a variety of applications. The list can serve as a starting point for developing a solution tailored to specific application needs and is not an exhaustive list of the possible applications.

SHOWS AND EXHIBITS

Interphex 2015
 April 21-23
 Booth #1952

ACHEMA 2015 Germany
 June 15-19

CONTACT DETAILS

Headquarters:
 1623 W Pioneer Pkwy
 Peoria, IL 61615

Phone: 800-463-7817
 Fax: 309-285-8948

sales@ehsnow.com

LATEST NEWS

EHS now has an application focused sample drawing library for many common industry applications. Visit our Applications page to see some of the applications we can service.

© EHS Solutions LLC